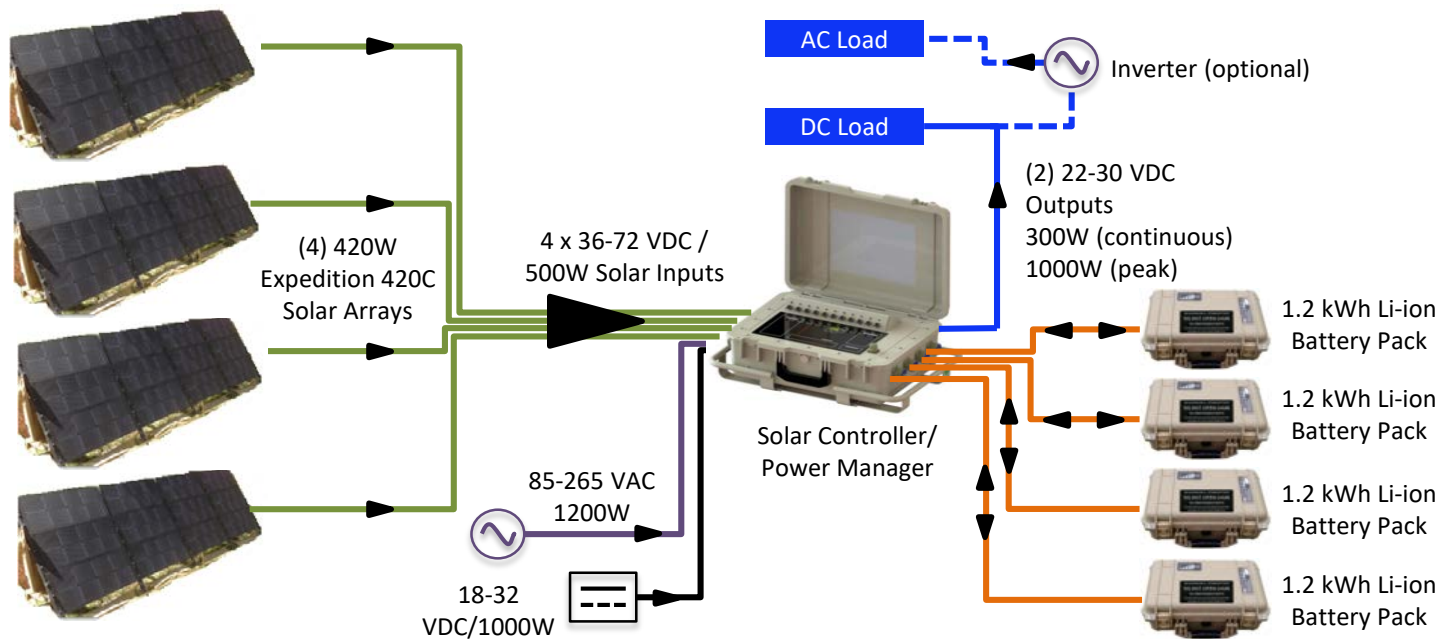


## Nishati Outpost 300 Plus Solar Charging System

1680 Watts of solar energy capacity • 300 Watts of continuous 24/7 power



### Solar Component



### System Power Capabilities

300 Watts	Power Available 24/7
1000 Watts	Continuous Power for 4 hours
1200 Watts	Peak Power Output

### Typical Battery Capacities

Smart Phones	6 to 10 watt-hrs
Tablets	28 to 42 watt-hrs
Laptops	48 to 94 watt-hrs
Military Tactical Radios	25 to 75 watt-hrs
Toughbook computers	84 to 87 watt-hrs
Other 12 Volt Accessories	20 to 60 watt-hrs

Battery charging time similar to a wall plug

# Nishati<sup>™</sup> Outpost 300 Plus

## Nishati Outpost 300 Plus Specification

General Description / Components	
Outpost 50 Part Number	228551G300P
Solar	Four Nishati Expedition 420C Portable Solar Array: (4) 105W Glass-free Foldable Solar Panels (1) Roll-able 50mph wind-rated stand w/canvas cover & carrying handles (1) 35-foot power cable (12) Empty sandbags and (10) Tent stakes (1) Rugged transport case with polyurethane wheels Optional: Soft case for carrying solar panels, power cable, and accessories
Charge control	(2) BB-XX90 series battery solar charge controllers
Batteries	(2) BB-2590 or other BB-XX90 series (optional)
AC Power	(1) 120W ruggedized inverter
Cables	(1) Solar to SAE 2-pin mating cable; (2) SAE 2-pin Y cables
Limited Warranty	2 Years
System Power*	
Rated solar capacity	1680W
Power capability	300W 24/7, 1000 watts for 4 hours, 1200 watts maximum
Solar Array Open Circuit Voltage ( $V_{oc}$ )	61.36V
Solar Array Short Circuit Current ( $I_{sc}$ )	9.47A
Solar Array Output Voltage ( $V_{mp}$ )	49.8V
Solar Array Output Current ( $I_{mp}$ )	8.3A
Solar Array Maximum Voltage	600V DC
Charge Controller DC Power Input (per controller)	2000W
Charge Controller DC Power Output (per controller)	300W (continuous) / 1200W (peak)
Inverter Input	12V DC
Inverter Output	115VAC/60 Hz/1800W (2000W surge) pure sine wave; (2) U.S. 3-prong outlets PDU Kit Inverter: 120VAC/60Hz/180W (360W surge) pure sine wave; (1) U.S. 3-prong outlet
Environmental Resistance	
Water and dust protection	IP67
Operating Temp. with Solar Loading	-20°C to 60°C
Storage Temp. Limits (In Hard Case)	-32°C to 71°C
Wind Load Limit From Any Direction	80 KPH
48" Drop and Loose Cargo Tests per MIL-STD 810G	PASS

\*Nominal ratings based on standard test conditions: 25°C, AM1.5, and 1000W/m<sup>2</sup>

8200 Greensboro Drive, Suite 900  
McLean, VA 22102  
303-906-3838



Website: [www.nishati-us.com](http://www.nishati-us.com)

Patents: [www.nishati-us.com/patent](http://www.nishati-us.com/patent)