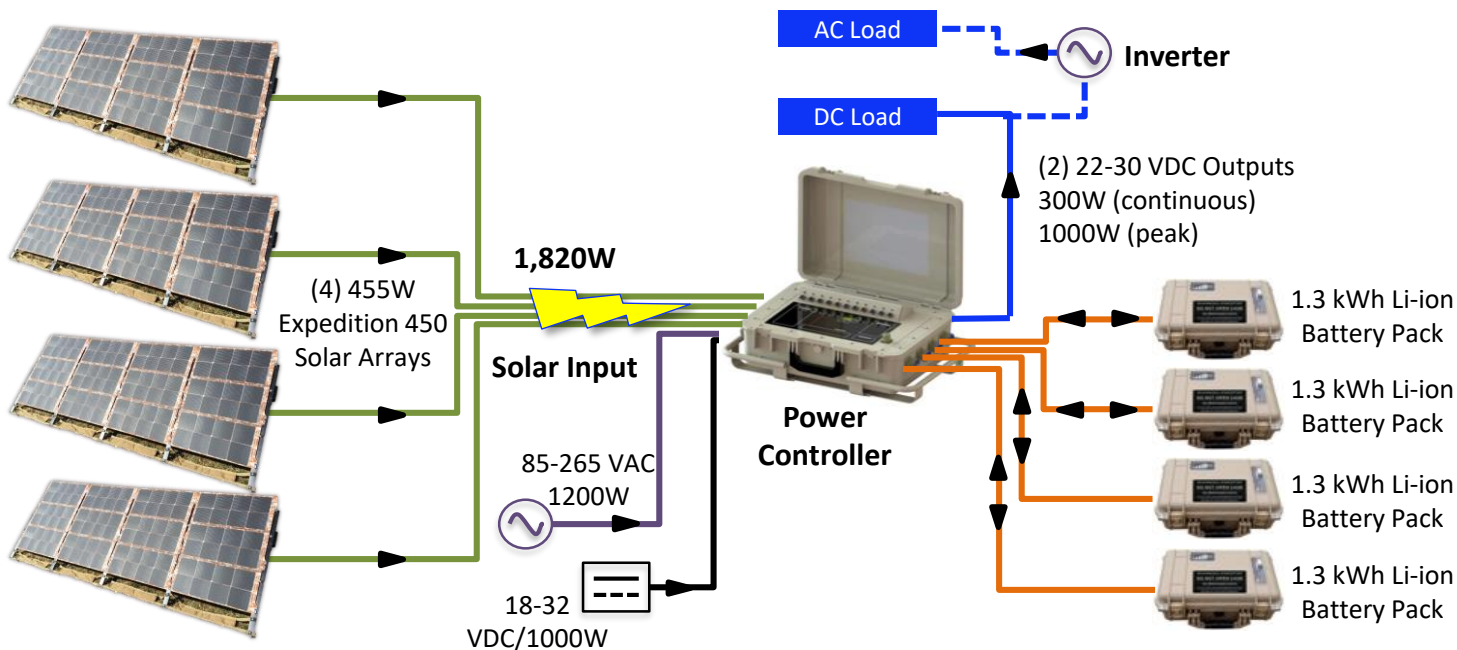


## Nishati Outpost 300 Plus Solar Charging System

1800 Watts of solar energy capacity • 300 Watts of continuous 24/7 power



### Solar Component



Nishati Expedition™ 450



### System Power Capabilities

300 Watts	Power Available 24/7
1000 Watts	Continuous Power for 4 hours
1200 Watts	Peak Power Output

### Typical Battery Capacities

Smart Phones	6 to 10 watt-hrs
Tablets	28 to 42 watt-hrs
Laptops	48 to 94 watt-hrs
Military Tactical Radios	25 to 75 watt-hrs
Toughbook computers	84 to 87 watt-hrs
Other 12 Volt Accessories	20 to 60 watt-hrs

Battery charging time similar to a wall plug

• Increasing Mission Effectiveness •

# Nishati™ Outpost™ 300 Plus

Nishati Outpost 300 Plus Specification	
General Description / Components	
<b>Outpost 300 Plus Part Number</b>	228551G300P
<b>Solar</b>	Four Nishati Expedition 450 Portable Solar Arrays. Each includes: (4) 114W Glass-free Foldable Solar Panels (1) Roll-able 50mph wind-rated stand w/canvas cover & carrying handles (1) 35-foot power cable (12) Empty sandbags and (10) Tent stakes (1) Rugged transport case with polyurethane wheels Optional: Soft case for carrying solar panels, power cable, and accessories
<b>Power Controller</b>	(4) 500W / 36-80VDC Input ports with Maximum Power Point Tracking (1) 85-265VAC/47-63 Hz, 1200W input port (1) 18-32VDC/1000W input port (2) 22-30 VDC, 300W (continuous) 1000W (peak) output ports
<b>Batteries</b>	(4) 1.3 kWh LiFePO <sub>4</sub> High Energy Density Battery packs (40 lbs. ea.)
<b>Accessories</b>	External cable kit, Inverter, DC Power Distribution Kit; Paralleling Adapter & Generator Auto-start (Optional)
<b>Limited Warranty</b>	2 Years
System Power	
<b>Rated solar capacity*</b>	1820W
<b>Solar Array Open Circuit Voltage (V<sub>oc</sub>)*</b>	64V
<b>Solar Array Short Circuit Current (I<sub>sc</sub>)*</b>	9.1A
<b>Solar Array Output Voltage (V<sub>mp</sub>)*</b>	52V
<b>Solar Array Output Current (I<sub>mp</sub>)*</b>	8.8A
<b>Solar Array Maximum Voltage</b>	600V DC
<b>Charge Controller DC Power Input (per controller)</b>	2000W
<b>Charge Controller DC Power Output (per controller)</b>	300W (continuous, 24/7) / 1000 watts for 4 hours / 1200 watts (peak)
<b>Inverter Input</b>	20-32VDC
<b>Inverter Output</b>	115VAC/60 Hz/1800W (2000W surge) pure sine wave; (2) U.S. 3-prong outlets PDU Kit Inverter: 120VAC/60Hz/180W (360W surge) pure sine wave; (1) U.S. 3-prong outlet
Environmental Resistance	
<b>Water and dust protection</b>	IP67
<b>Operating Temp. with Solar Loading</b>	-20°C to 60°C
<b>Storage Temp. Limits (In Hard Case)</b>	-32°C to 71°C
<b>Wind Load Limit From Any Direction</b>	50 mph
<b>48" Drop and Loose Cargo Tests per MIL-STD 810G</b>	PASS

\*Nominal ratings based on standard test conditions: 25°C, AM1.5, and 1000W/m<sup>2</sup>

2200 E. Williams Field Rd. Ste 200  
Gilbert, AZ 85295  
571-999-3482



Website: [www.nishati-us.com](http://www.nishati-us.com)  
Patents: [www.nishati-us.com/patent](http://www.nishati-us.com/patent)