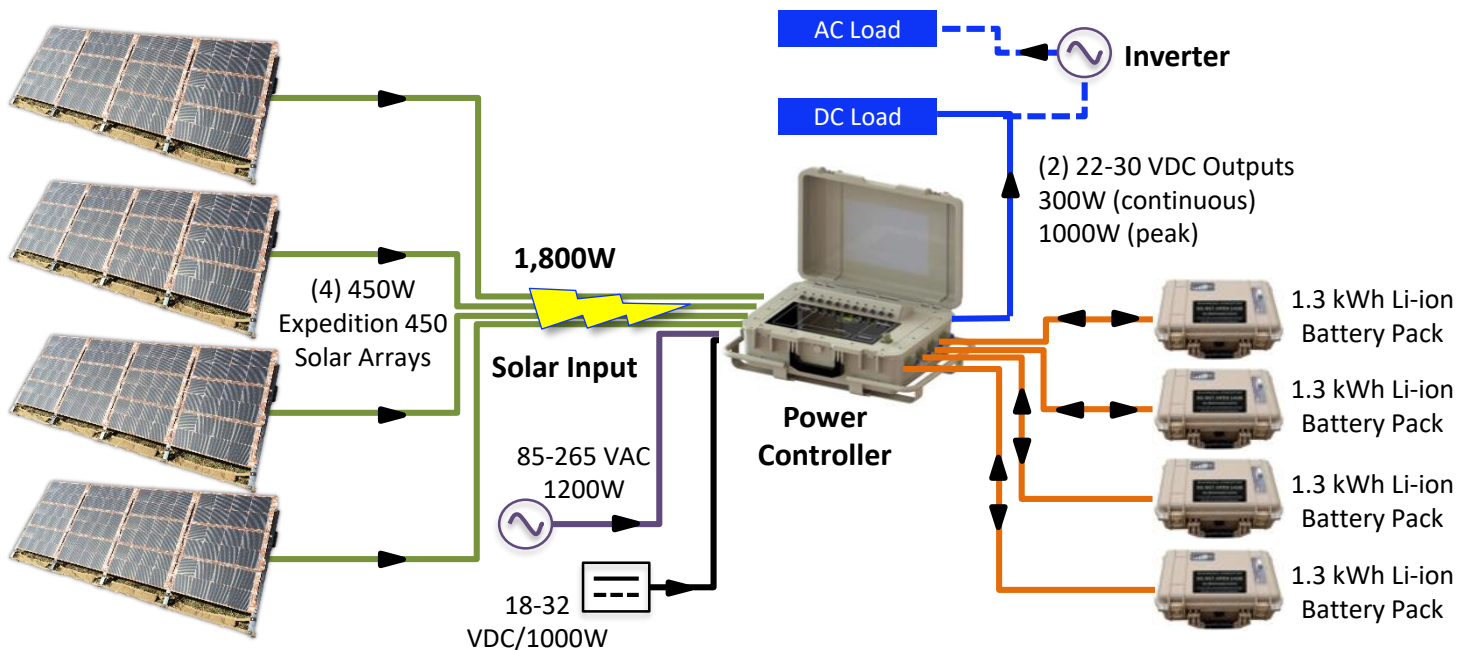


Nishati Outpost 300 Plus Solar Power System

1800 Watts of solar energy capacity • 300 Watts of continuous 24/7 power



Solar Component



Nishati Expedition™ 450



System Power Capabilities

300 Watts	Power Available 24/7
1000 Watts	Continuous Power for 4 hours
1200 Watts	Peak Power Output

Typical Battery Capacities

Smart Phones	6 to 10 watt-hrs
Tablets	28 to 42 watt-hrs
Laptops	48 to 94 watt-hrs
Military Tactical Radios	25 to 75 watt-hrs
Toughbook computers	84 to 87 watt-hrs
Other 12 Volt Accessories	20 to 60 watt-hrs

Battery charging time similar to a wall plug

• Increasing Mission Effectiveness •

Nishati™ Outpost™ 300 Plus

Nishati Outpost 300 Plus Specification	
General Description / Components	
Outpost 300 Plus Part Number	228551G300P
Solar	Four Nishati Expedition 450 Portable Solar Arrays. Each includes: (4) 112W Glass-free Foldable Solar Panels (1) Roll-able 50 mph wind-rated stand w/canvas cover & carrying handles (1) 35-foot power cable (12) Empty sandbags and (10) Tent stakes (1) Rugged transport case with polyurethane wheels Optional: Soft case for carrying solar panels, power cable, and accessories
Power Controller	(4) 500W / 36-80VDC Input ports with Maximum Power Point Tracking (1) 85-265VAC/47-63 Hz, 1200W input port (1) 18-32VDC/1000W input port (2) 22-30 VDC, 300W (continuous) 1000W (peak) output ports
Batteries	(4) 1.3 kWh LiFePO ₄ High Energy Density Battery packs (40 lbs. ea.)
Accessories	External cable kit, Inverter, DC Power Distribution Kit; Paralleling Adapter & Generator Auto-start (Optional)
Limited Warranty	2 Years
System Power	
Rated solar capacity*	1800W
Solar Array Open Circuit Voltage (V_{oc})*	63.82V
Solar Array Short Circuit Current (I_{sc})*	9.04A
Solar Array Output Voltage (V_{mp})*	51.39V
Solar Array Output Current (I_{mp})*	8.77A
Solar Array Maximum Voltage	600V DC
Charge Controller DC Power Input (per controller)	2000W
Charge Controller DC Power Output (per controller)	300W (continuous, 24/7) / 1000 watts for 4 hours / 1200 watts (peak)
Inverter Input	20-32VDC
Inverter Output	115VAC/60 Hz/1800W (2000W surge) pure sine wave; (2) U.S. 3-prong outlets PDU Kit Inverter: 120VAC/60Hz/180W (360W surge) pure sine wave; (1) U.S. 3-prong outlet
Environmental Resistance	
Water and dust protection	IP67
Operating Temp. with Solar Loading	-20°C to 60°C
Storage Temp. Limits (In Hard Case)	-32°C to 71°C
Wind Load Limit From Any Direction	50 mph
48" Drop and Loose Cargo Tests per MIL-STD 810G	PASS

*Nominal ratings based on standard test conditions: 25°C, AM1.5, and 1000W/m²

2200 E. Williams Field Rd. Ste 200
Gilbert, AZ 85295
571-999-3482



Website: www.nishati-us.com
Patents: www.nishati-us.com/patent