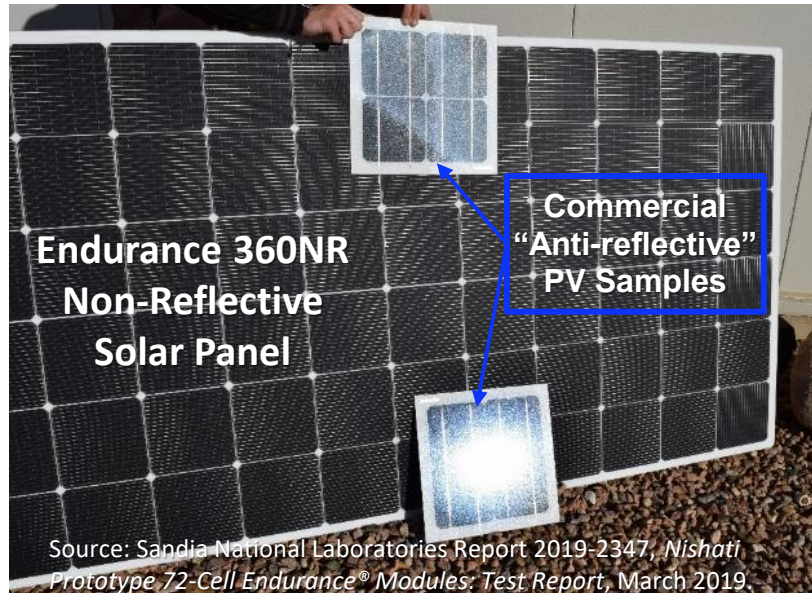
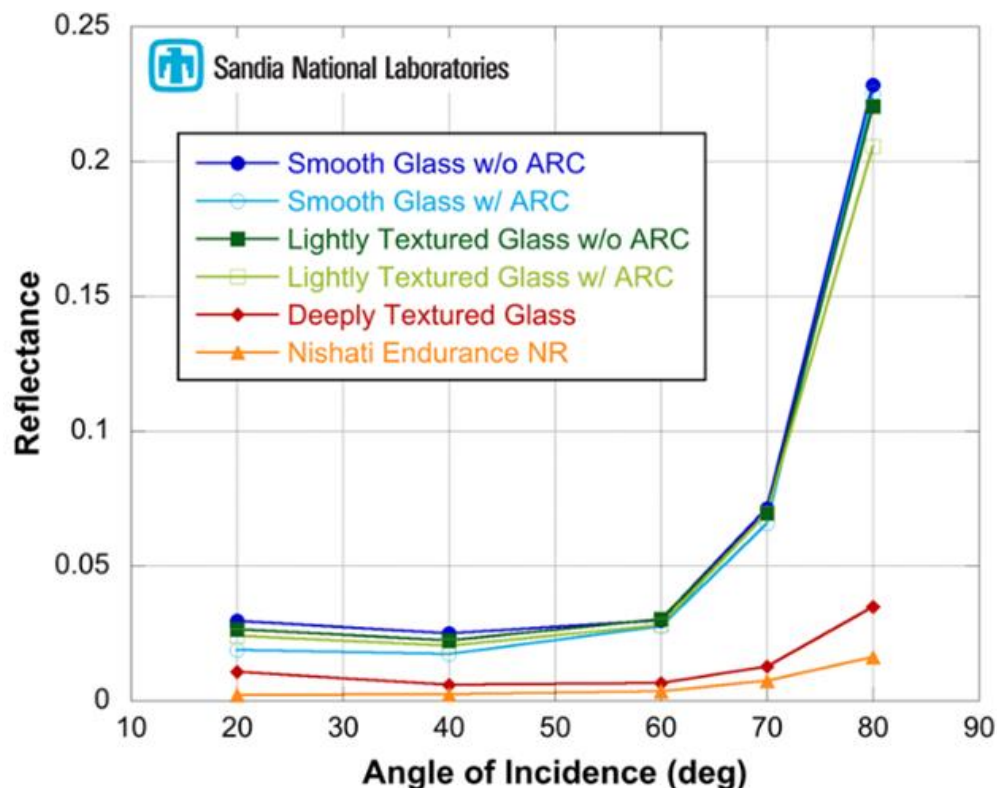


Eliminate the Risk of Glint and Glare from Installed Solar Panels
Suitable for installation at Airports and Military Airfields
Lightweight, Frameless Glass-free Solar Panels



Endurance™ 360NR Compared to Solar Glare Hazard Analysis Tool (SGHAT)

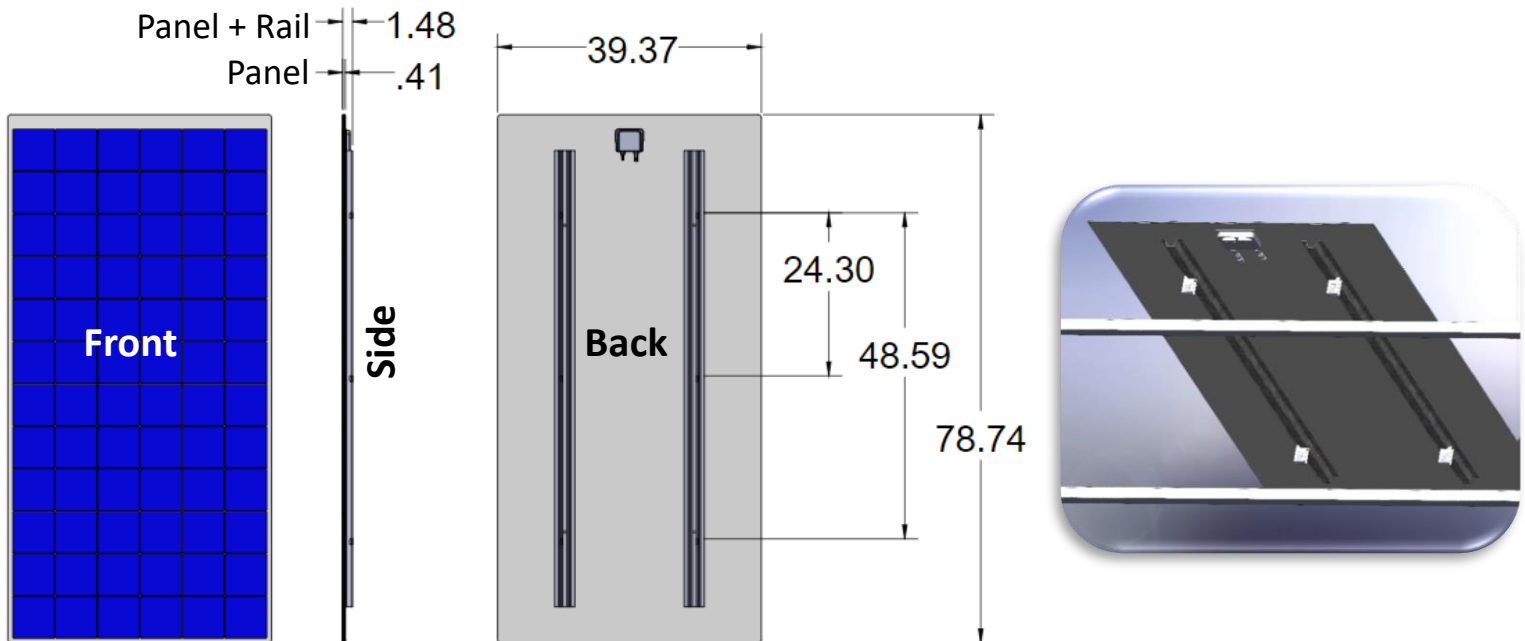
- Data generated by Sandia National Laboratories (SNL) under a DoE Small Business Vouchers Pilot project
- Endurance™ NR Solar Panels have the **lowest reflectivity of any commercial utility solar panel type** across all angles of incidence as recorded in the SGHAT database
- SGHAT use is required for FAA and DoD solar siting optical impact analysis
- Endurance™ NR Solar Panels **harvest more energy** than comparable glass solar panels **at sun angles that are off-axis to the panels** with particular advantage at high angles of incidence



Nishati Endurance™ 360NR

Specifications

Part Number	232286	
PV Cells	Mono-crystalline silicon PERC (G1)	
Rated Power (Pmax)	360 Watts (-0% / +3%)	At Standard Test Conditions: Cell temperature 25°C Air Mass 1.5 Solar Irradiance 1000 W/m ²
Vmp	37.4 V (± 10%)	
Imp	9.8 A (± 10%)	
Voc	48.0 V (± 10%)	
Isc	10.0 A (± 10%)	
Maximum System Voltage (DC)	600 V	
Active Area Efficiency	19%	
Dimensions (LxWxD)	78.74" x 39.37" x 0.41" (panel only) / 1.48" (panel + rail)	
Weight	42 lbs. (panel & JBox) / 52 lbs. (2 rails) / 57 lbs. (3 rails)	
Dust & Water Ingress Protection	IP67	
Wind Rating	150 mph (2 back rails to 2 mounting rails) 190 mph (3 back rails to 3 mounting rails)	
Jbox / Termination	Rear mount Jbox / PV cable with MC4 connectors	



2200 E. Williams Field Rd. Ste 200
Gilbert, AZ 85295
571-999-3482



Website: www.nishati-us.com

Patents: www.nishati-us.com/patent

E-mail inquiries: Info@nishati-us.com