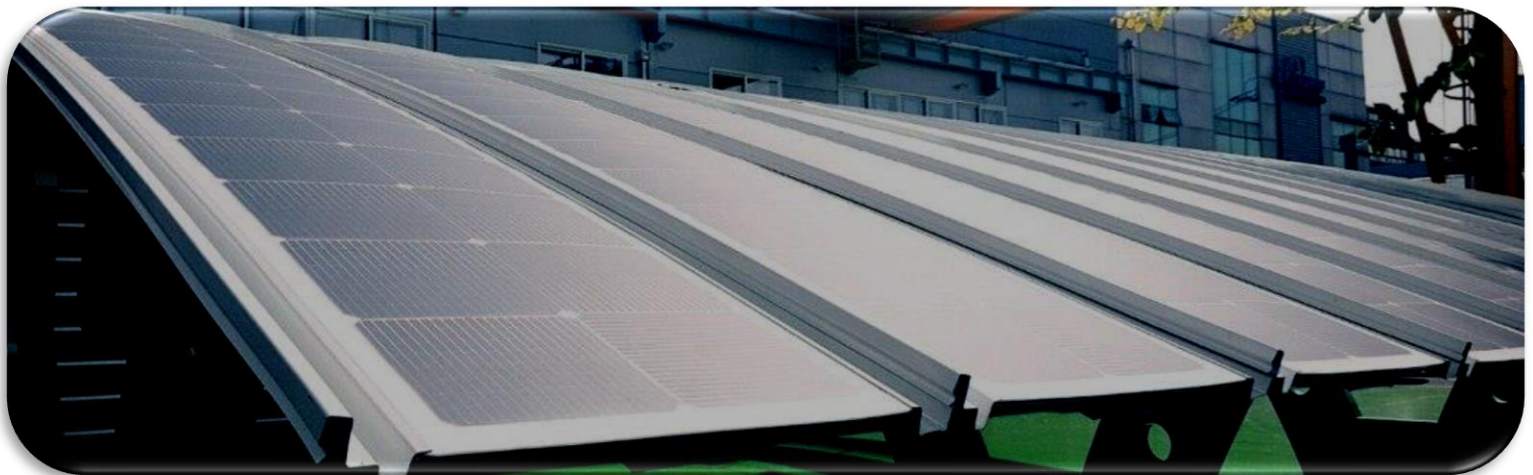


Glass-free Direct-Bonded Solar for Metal Roofs

- 60%+ Lighter than glass solar panels
- 2.5 x power density of thin-film solar
- 50 x more durable than bus bar panels
- Delivers 15-20% more energy in real world conditions
- Bonds directly to metal
- Quick/Easy install – Just “peel & stick”
- No mounting hardware, special tools, or surface penetration required
- Lower installation costs than glass panels

Built for Performance and Durability

- High efficiency, monocrystalline silicon solar cells with Merlin™ Interconnect
- Weather resistant package, sealed junction boxes, durable back-sheet
- Butyl adhesive tested to 150+ mph wind
- Size, Layout, and Junction Box location tailorable to meet layout requirements



Warranty

Application	Material & Workmanship	Power Output
Rooftop	10-year limited warranty	• 85% minimum over 20 years applied linearly (0.75% per year)

Rooftop Solar Qualifications | UL 1703 | IEC 61215 / 61730

Nishati Endurance™ Flex

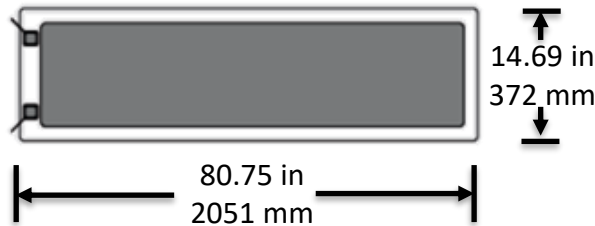
Specifications¹

Parameter \ Model	EF-120L	EF-180L	EF-180S
PV Solar Cell Type	Mono-crystalline Silicon PERC (G1)		
Number of cells in series	24	36	36
Cell Layout	2x12	2x18	6x6
Rated Power Pmax	120W	180W	180W
Voltage @Max. Power Vmp	13.69V	20.54V	20.54V
Current @Max. Power Imp	8.67A	8.77A	8.77A
Open Circuit Voltage Voc	16.25V	24.45V	24.45V
Short Circuit Current Isc	9.15A	9.20A	9.20A
Active Area Efficiency	19%	19%	19%
Back-sheet color	White		
JBox / Termination	Top mount Jbox / PV cable with polarized MC4 connectors are standard		
1. Standard test conditions (STC): 1000 W/m ² intensity, Air Mass 1.5, 25°C cell temperature. Power tolerance is ±5.0% at STC. Electrical characteristics are within ± 10% unless otherwise specified. Specifications are subject to change.			



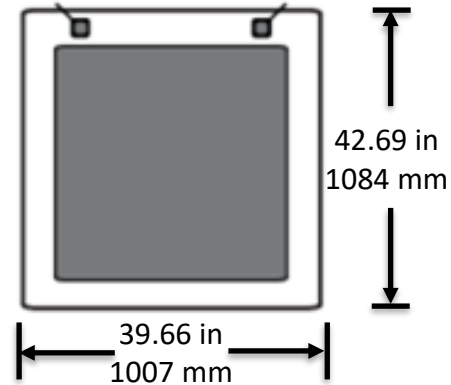
EF-120L

Weight: 7.3 lbs | 3.31 kg



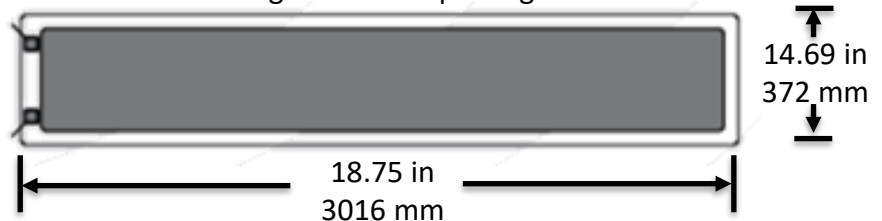
EF-180S

Weight: 9.15 lbs | 4.15 kg



EF-180L

Weight: 10.8 lbs | 4.9 kg



2200 E. Williams Field Rd. Ste 200
Gilbert, AZ 85295
571-999-3482



Website: www.nishati-us.com

Patents: www.nishati-us.com/patent

E-mail inquiries: Info@nishati-us.com