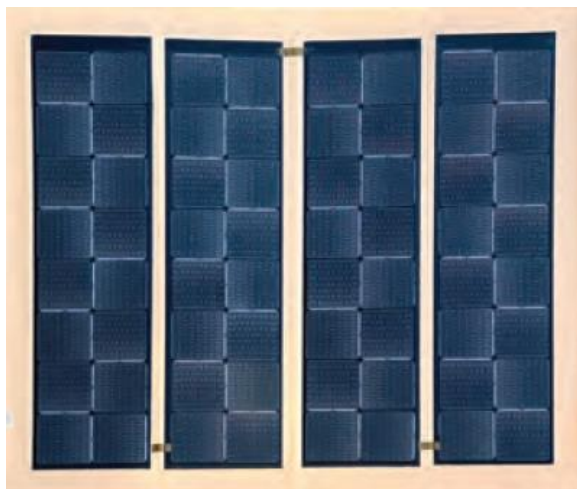


## Glass-free Folding Fabric Solar Panels & Arrays



### Key Product Features

- High Power Density ▶ 2.5x thin-film solar
- 21-23% mc-Si PERC solar cells
- G1 cell format for MORE POWER in the same area
- Revolutionary gridded interconnect
  - ▶ increases lifetime reliability & power production
  - ▶ vibration & extreme temperature tolerance
- Low reflection / high absorption materials increase power output at low angle and scattered light



### Portable, Simple, Adaptable

- 80% Lighter than glass panels
- Compact folding design for storage & transport
- Easy to attach / detach to / from structures
- Interconnect multiple folding panels for scalable power
- Flexible design & multiple panel sizes adapt to different structure geometries / applications
- Custom size and attachment options available

### Rugged, Durable Solar that Performs

- Military-grade design & materials
- 50x more durable than bus bar solar panels
- Weather resistant, rugged low-profile sealed junction boxes
- High strength, heavy-duty roofing fabric
- Industry leading power output
- 15-20% more energy in real world conditions than other portable panels

# Nishati Endurance™ F3

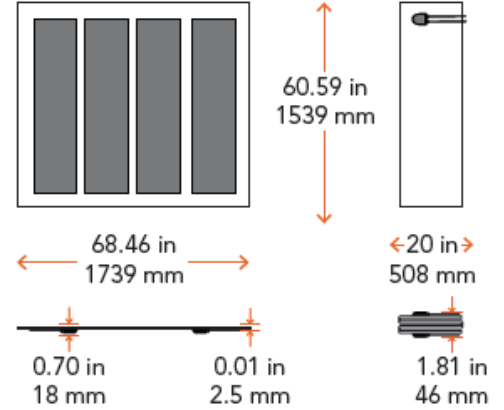
## Endurance™ F3 Specifications<sup>1</sup>

Parameter \ Model	EF3-320	EF3-640	EF3-960
Part Number	253320	253640	253960
PV Solar Cell Type	mc-Si PERC (G1)		
Number of Cells	64	128	192
Rated Power   Pmax	320W	640W	960W
Voltage @Max. Power   Vmp	35.57V	71.15V	106.72V
Current @Max. Power   Imp	9.00A	9.00A	9.00A
Open Circuit Voltage   Voc	43.10V	86.20V	129.30V
Short Circuit Current   Isc	9.89A	9.89A	9.89A
Active Area Efficiency	19%	19%	19%
JBox Mount	Front	Back	Back
Termination	PV cable with polarized MC4 connectors (standard)		

1. Standard test conditions: 1000 W/m<sup>2</sup> intensity, Air Mass 1.5, 25°C cell temp. Power rating is ±5.0% at STC. Electrical characteristics are within ± 10% unless otherwise specified. Specifications are subject to change.

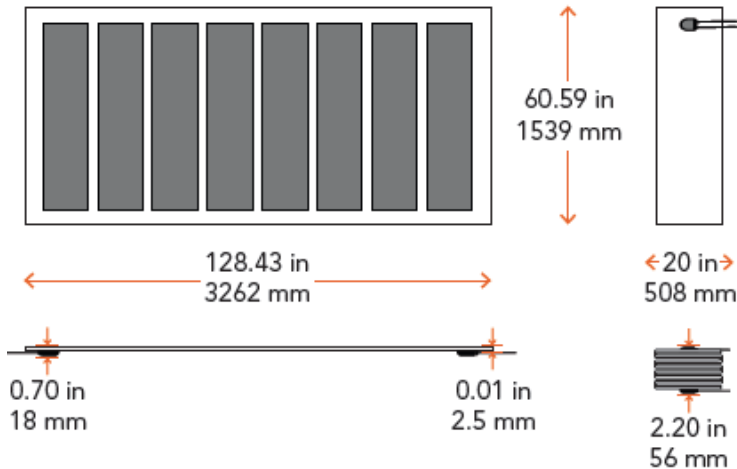
### EF3-320

Weight 15.1 lbs | 6.8 kg



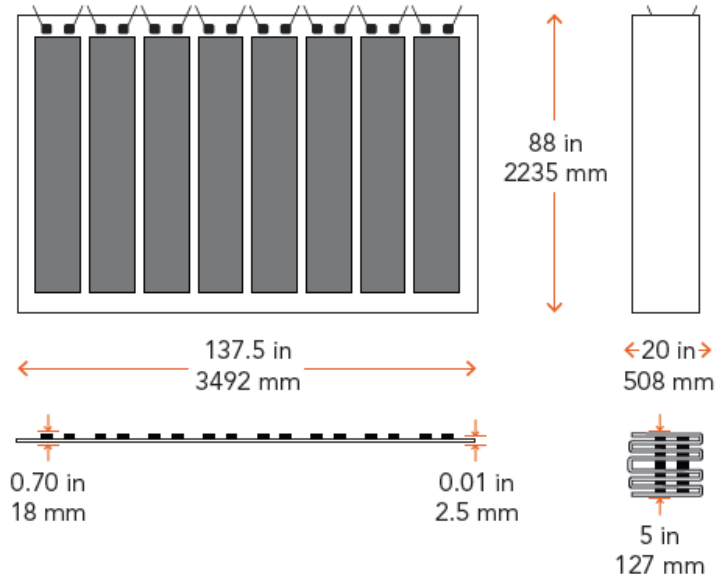
### EF3-640

Weight 29.8 lbs | 13.5 kg



### EF3-960

Weight 83 lbs | 37.65 kg



## Warranty

Material & Workmanship	Power Output
1-year limited warranty	80% minimum at 5 years

2200 E. Williams Field Rd. Ste 200  
Gilbert, AZ 85295  
571-999-3482



Website: [www.nishati-us.com](http://www.nishati-us.com)

Patents: [www.nishati-us.com/patent](http://www.nishati-us.com/patent)

E-mail inquiries: [Info@nishati-us.com](mailto:Info@nishati-us.com)